



XXX

X: 0mm

Y: 0mm

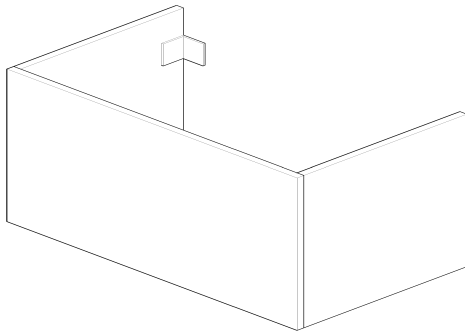
Z: 0mm



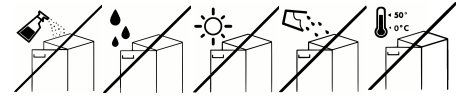
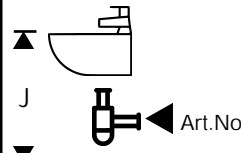
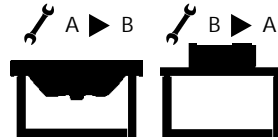
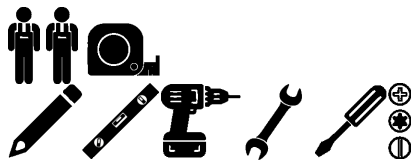
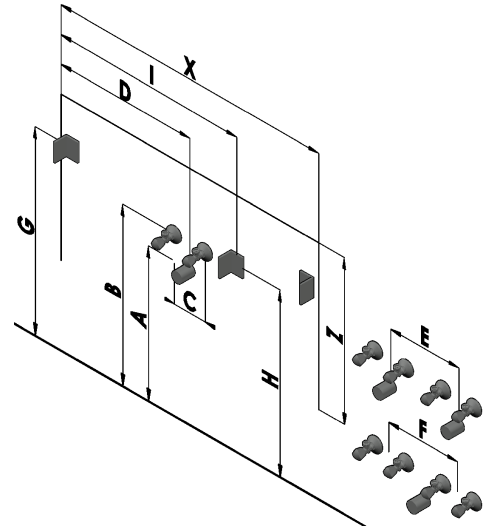
X 900 mm

Y 500 mm

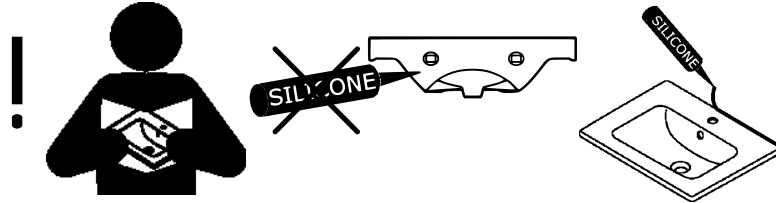
Z 200 mm



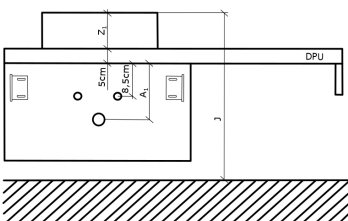
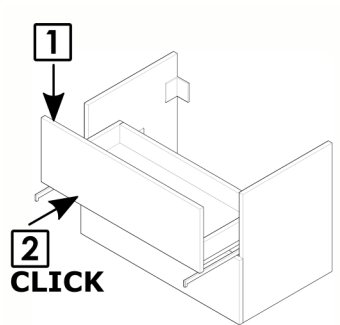
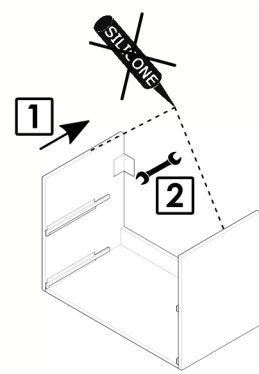
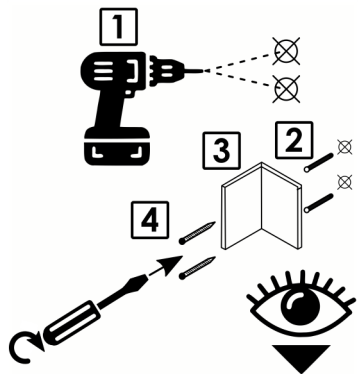
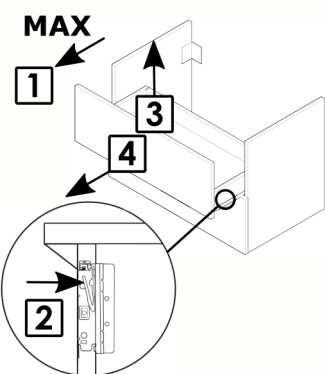
- A mm
- B mm
- C 80-120 mm
- D mm
- E mm
- F mm
- G mm
- H mm
- I mm
- J 860 mm
- M mm
- N 31 mm



A



B



- Z₁ = Triumph:**
 - SZZ A₁ = 80 mm
 - SZZ1 A₁ = 80 mm
 - SZZ2 A₁ = 80 mm
- Z₁ = Kube, Joy, Joy 3:**
 - SZZ A₁ = 230 mm
 - SZZ1 A₁ = 120 mm
 - SZZ2 A₁ = 120 mm

