

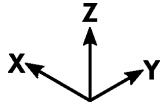
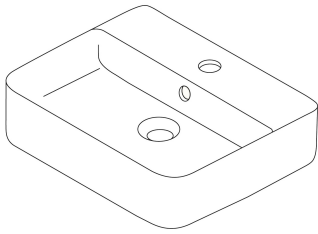


U103

X: 460mm

Y: 390mm

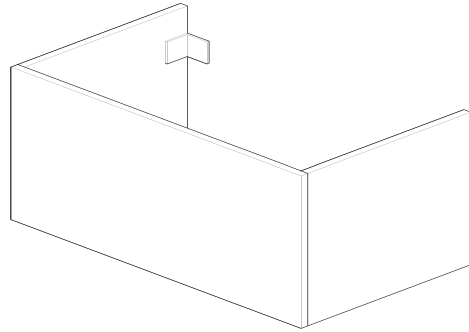
Z: 125mm



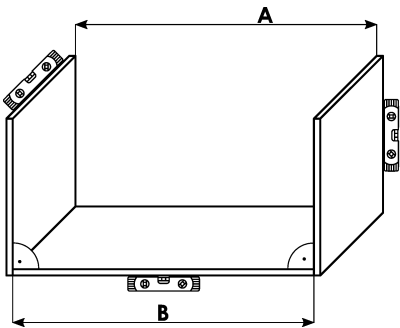
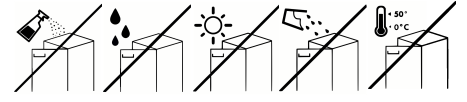
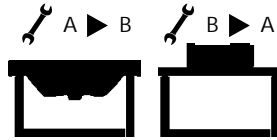
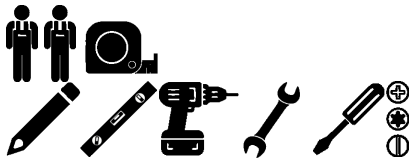
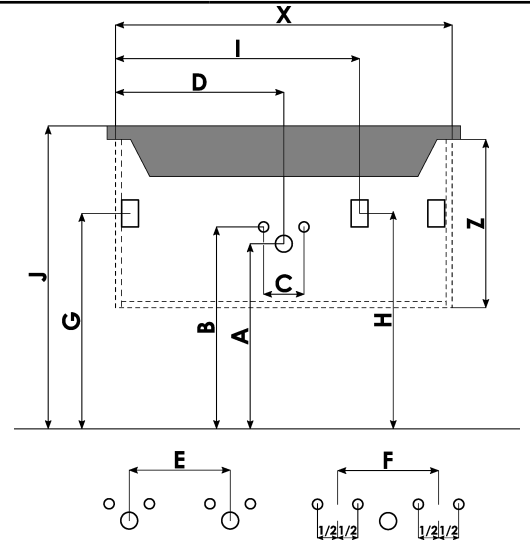
X: 800 mm

Y: 500 mm

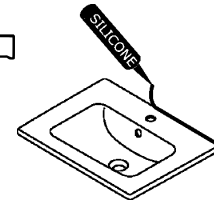
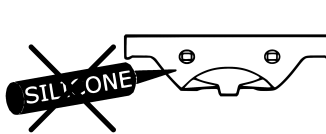
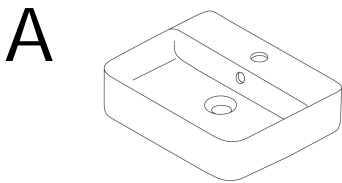
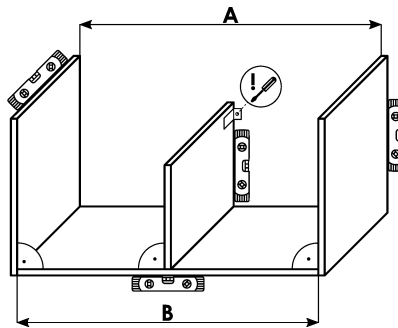
Z: 418 mm



- A 560 mm
- B 600 mm
- C 80-120 mm
- D 400 mm
- E --- mm
- F --- mm
- G 656 mm
- H --- mm
- I --- mm
- J 860 mm
- M mm
- N mm



! A=B



**B**

